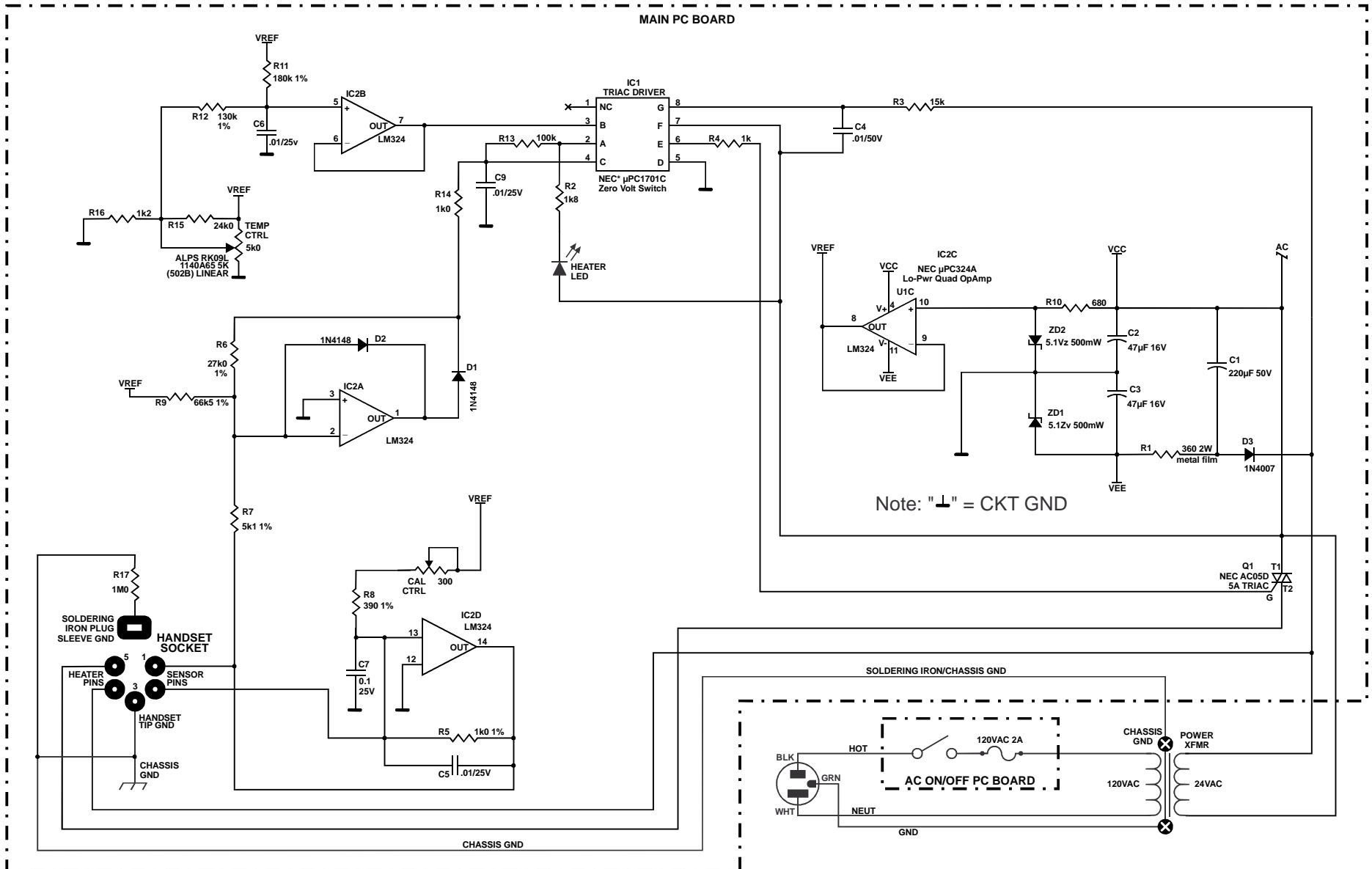


HAKKO 936 - Schematic

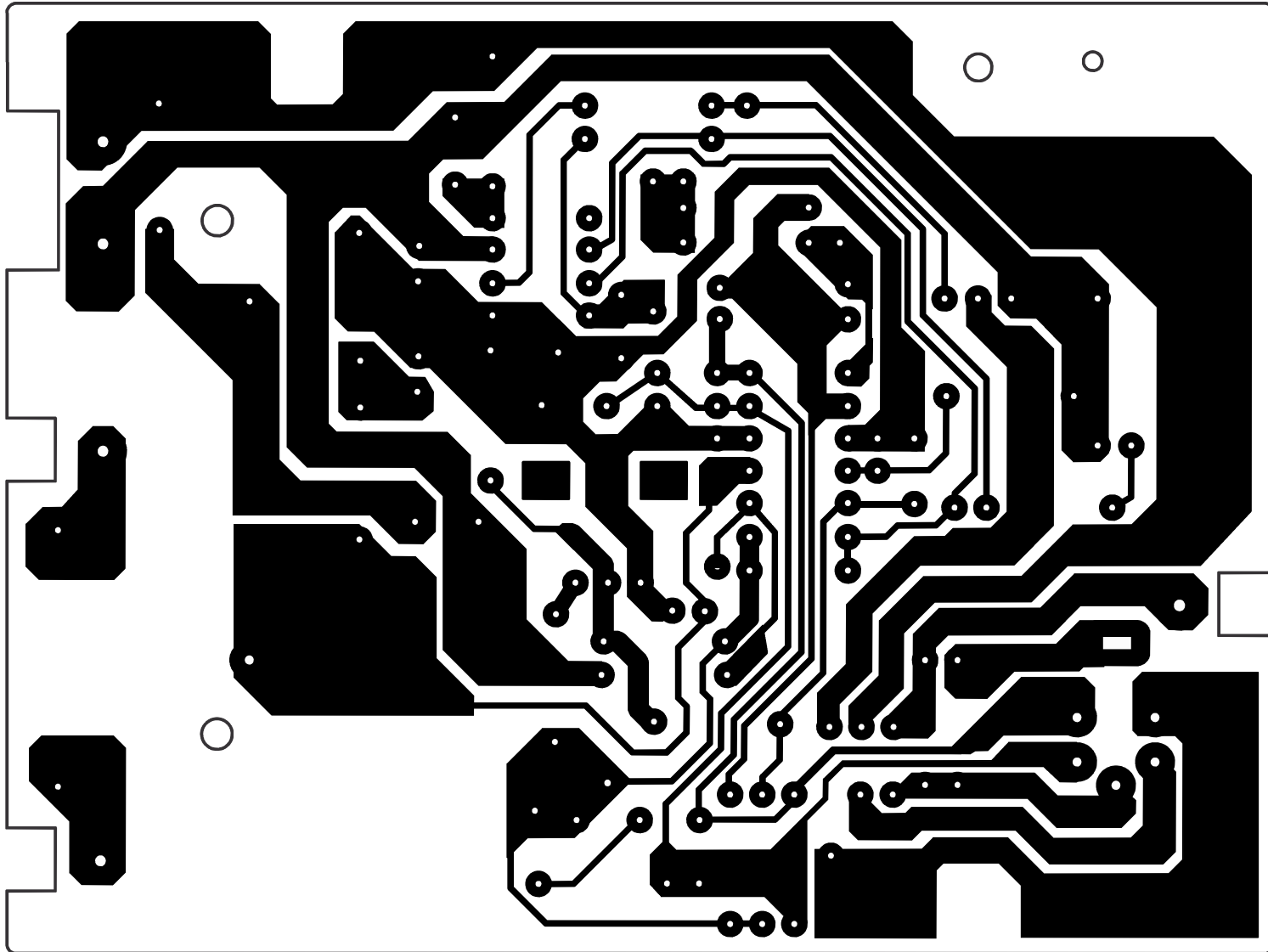
Rendered by: Tom Hammond - NØSS 26 MAR 2011 v1.7



HAKKO 936 TEMPERATURE-CONTROLLED SOLDERING STATION PC BOARD LAYOUT

Rendered by: Tom Hammond, NØSS 26 MAR 2011 v1.7

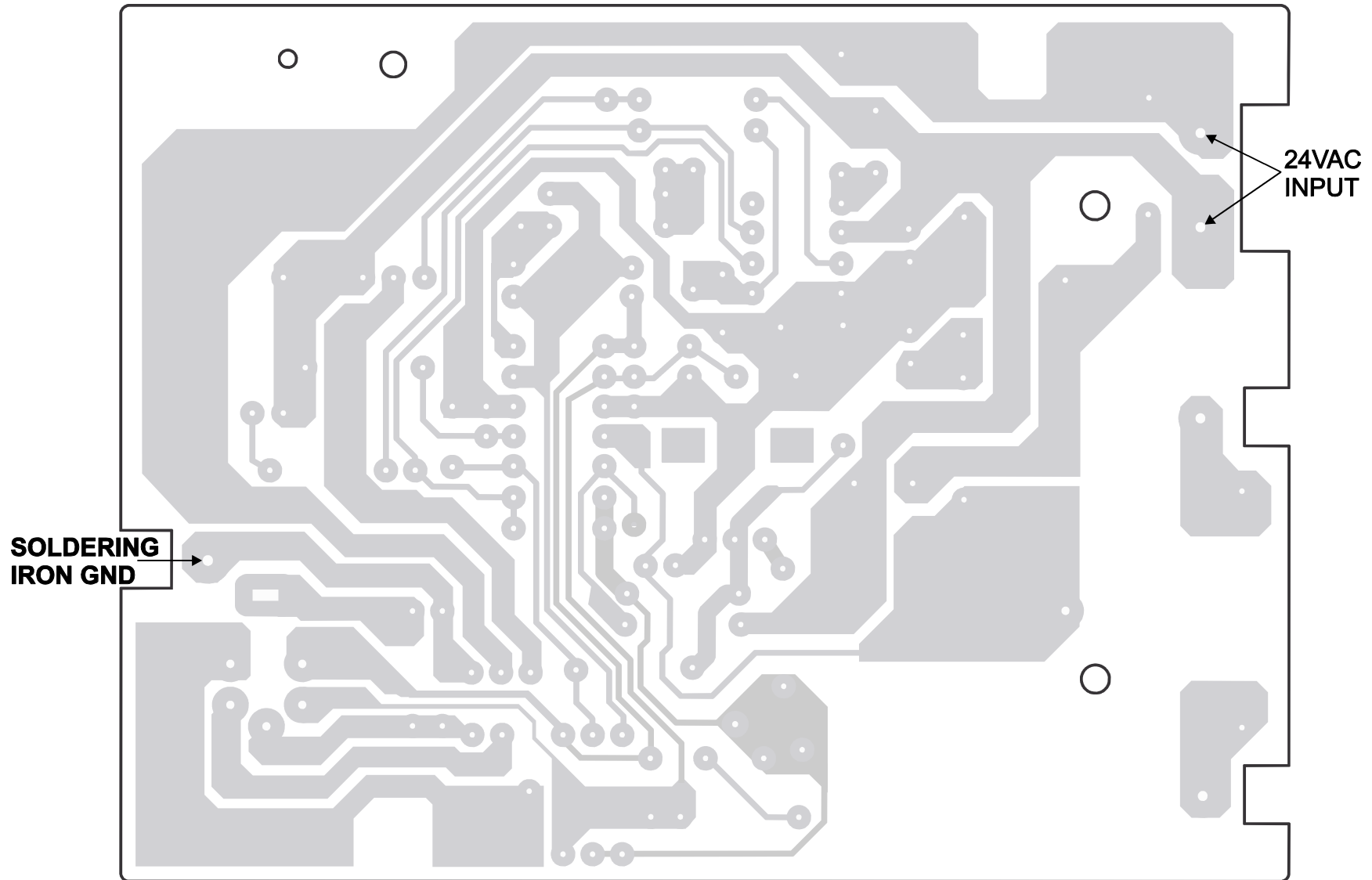
PC BOARD AS VIEWED FROM THE COPPER (SOLDER) SIDE



HAKKO 936 TEMPERATURE-CONTROLLED SOLDERING STATION PC BOARD LAYOUT

Rendered by: Tom Hammond, NØSS 26 MAR 2011 v1.7

PC BOARD AS VIEWED FROM THE COMPONENT SIDE

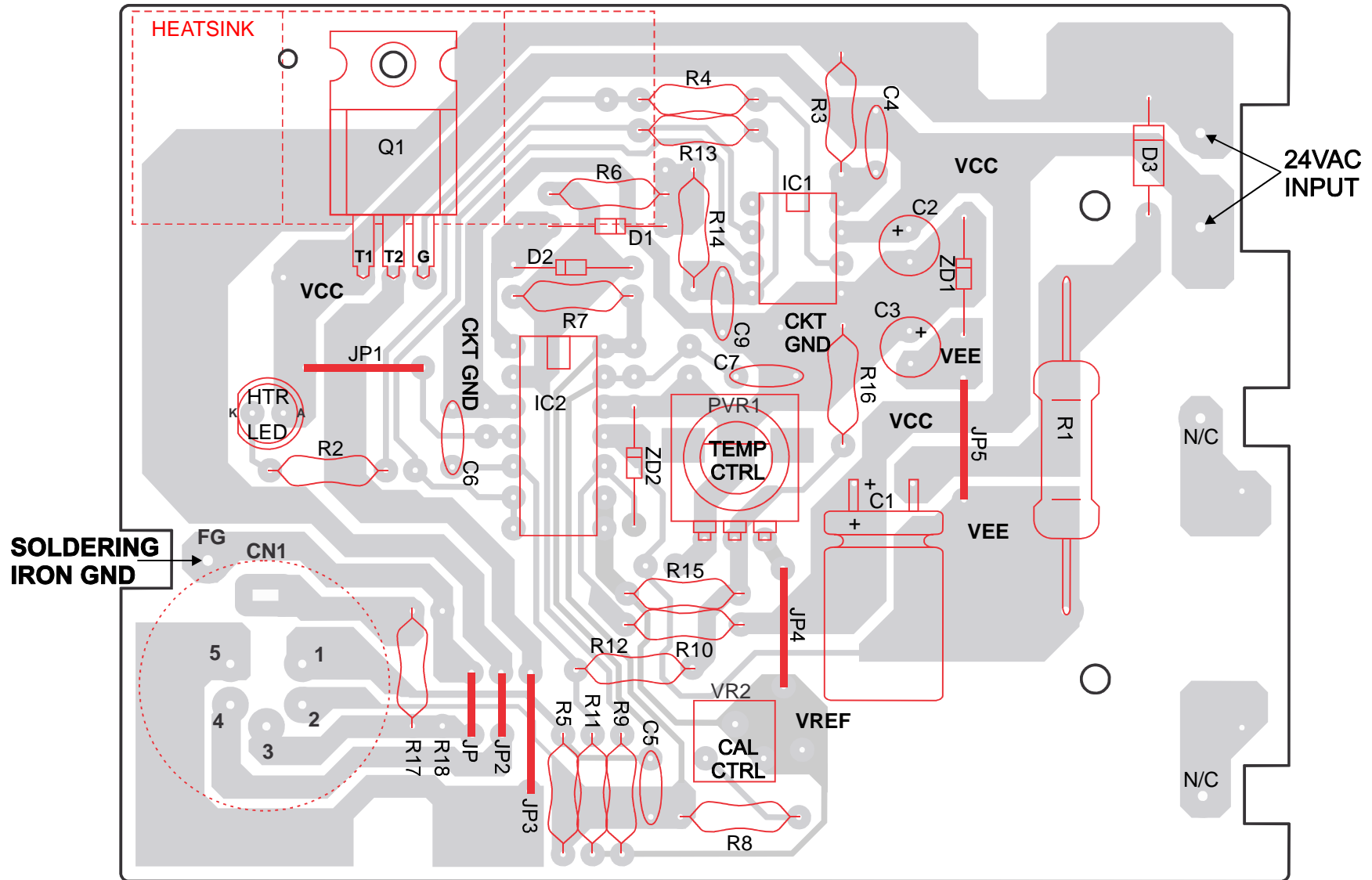


TEMP CONTROL POT = ALPS RK09L1140A65 5K (502B) LINEAR

HAKKO 936 TEMPERATURE-CONTROLLED SOLDERING STATION PC BOARD LAYOUT

Rendered by: Tom Hammond, NØSS 26 MAR 2011 v1.7

PC BOARD AS VIEWED FROM THE COMPONENT SIDE

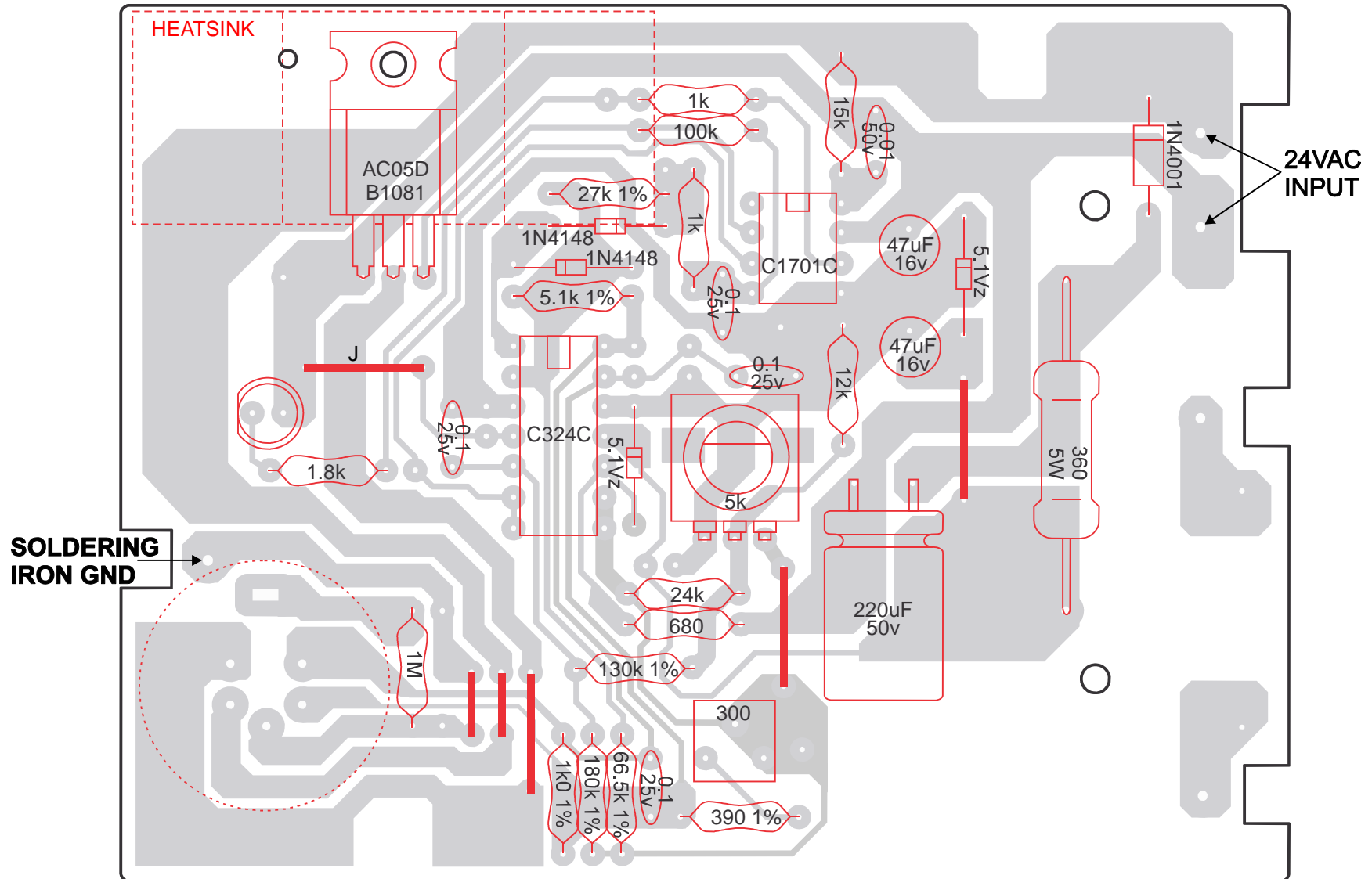


TEMP CONTROL POT = ALPS RK09L1140A65 5K (502B) LINEAR

HAKKO 936 TEMPERATURE-CONTROLLED SOLDERING STATION PC BOARD LAYOUT

Rendered by: Tom Hammond, NØSS 26 MAR 2011 v1.7

PC BOARD AS VIEWED FROM THE COMPONENT SIDE



TEMP CONTROL POT = ALPS RK09L1140A65 5K (502B) LINEAR

HAKKO 936-x PC Board Parts List

C1	220uF 50V
C2	47uF 16V
C3	47uF 16V
C4	0.01 (103) 50V Ceramic
C5	0.01 (104) 25V Ceramic
C6	0.01 (104) 25V Ceramic
C7	0.1 (104) 25V Ceramic
C8, C10-C13	n/a
C9	0.01 (104) 25V Ceramic
D1	4N4148 Small Sig Sil, or similar
D2	4N4148 Small Sig Sil, or similar
D3	1N4001, or 50VDC (or higher) @ 1A
IC1	NEC* μ PC1701C, Zero Volt Switch
IC2	NEC* μ PC324A, Lo-Pwr Quad OpAmp
Q1	NEC AC05D 5A Triac
R1	360 2W 5% metal film
R2	1.8k 1/4w 5% carbon film
R3	15k 1/4w 5% carbon film
R4	330 1/4w 5% carbon film
R5	1.0k 1/4W 1% metal film
R6	27.0k 1/4W 1% metal film
R7	5.11k 1/4w 1% metal film
R8	390 1/4w 1% metal film
R9	66.5k 1/4w 1% metal film
R10	680 1/4w 5% carbon film
R11	180.0k 1/4W 1% metal film
R12	130.0k 1/4W 1% metal film
R13	100k 1/4w 5% carbon film
R14	1k 1/4W 5% carbon film
R15	24k 1/4w 5% carbon film
R16	12k 1/4w 5% carbon film
R17	1M 1/4w 5% carbon film
ZD1	5.1Vz 500mW, 5.4Vz (measured)
ZD2	5.1Vz 500mW, 5.2Vz (measured)
PVR1	TEMP ADJ POT - ALPS RK09L1140A65 5K (502B) LINEAR
VR2	CAL TEMP POT - Bournes 3362P-1-501LF, see note below

* NOTE: NEC, is now part of Renesas Electronics Corp.

CAL TEMP CTRL

NOTE: In the 936, the CAL TEMP pot is 300 Ohms, however we were unable to find a pot in this physical format rated at 300 Ohms, so a 500 Ohm device has been specified as a suitable substitute.